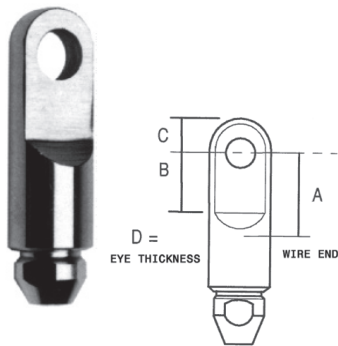


Eye Terminal

The Sta-Lok eye terminal is designed to take the place of the swage marine eye with compatible pin hole sizes and thickness. If you are replacing existing swage terminals in-sure that these dimensions will match what you are replacing. Some swage eye terminals are thinner than the swage marine eye and there are cases where a replacement Sta-Lok eye will not fit. The body of the Sta-Lok is also larger than the shank of the swage terminal. Some tangs and mast heads may not allow a direct replacement without some modification.



Part Number	Sta-Lok Number	Wire Size	Pin Size*	A	B	C	D	Price \$
SLEY0408	133-03	1/8	1/4	45/64	25/64	1/4	13/64	31.00
SLEY0510	133-04	5/32	5/16	51/64	37/64	5/16	15/64	37.19
SLEY0612	133-05	3/16	3/8	1-1/64	45/64	13/32	19/64	43.90
SLEY0712	133-55-3/8	7/32	3/8	1-7/32	7/8	15/32	3/8	57.01
SLEY0714	133-55	7/32	7/16	1-7/32	7/8	15/32	3/8	57.01
SLEY0716	133-55-1/2	7/32	1/2	1-7/32	7/8	1/2	3/8	57.01
SLEY0812	133-06-3/8	1/4	3/8	1-7/32	7/8	1/2	3/8	57.01
SLEY0814	133-06-7/16	1/4	7/16	1-7/32	7/8	15/32	3/8	57.01
SLEY0816	133-06	1/4	1/2	1-7/32	7/8	1/2	3/8	57.01
SLEY0916	133-07	9/32	1/2	1-9/32	31/32	17/32	27/64	64.77
SLEY1016	133-08-1/2	5/16	1/2	1-13/32	1-1/16	9/16	15/32	79.36
SLEY1020	133-08-5/8	5/16	5/8	1-13/32	1-1/16	5/8	17/32	81.02
SLEY1220	133-10	3/8	5/8	1-9/16	1-5/32	45/64	17/32	119.82
SLEY1224	133-10-3/4	3/8	3/4	1-5/8	1-5/32	3/4	17/32	119.82
SLEY1424	133-11	7/16	3/4	1-11/16	1-5/16	57/64	3/4	277.06
SLEY1428	133-11-7/8	7/16	7/8	1-11/16	1-5/16	15/16	3/4	285.71
SLEY1624	133-12	1/2	3/4	1-11/16	1-5/16	57/64	3/4	285.71
SLEY1628	133-12-7/8	1/2	7/8	1-11/16	1-5/16	15/16	3/4	277.06
SLEY1828	133-14-7/8	9/16	7/8	2-3/16	1-1/2	1	51/64	400.67
SLEY1832	133-14-1	9/16	1	2-3/16	1-1/2	1	51/64	333.91
SLEY2028	133-16	5/8	7/8	2-33/64	1-37/64	1-5/16	51/64	405.60
SLEY2032	133-16-1	5/8	1	2-33/64	1-37/64	1-5/16	51/64	405.60
SLEY2436	133-19	3/4	1-1/8	2-11/16	1-15/16	1-7/16	1-1/16	856.51
SLEY2844	133-22	7/8	1-3/8	4-13/16	2-3/8	1-9/16	1-5/16	1,021.63
SLEY3244	133-25	1	1-3/8	5-1/16"	2-3/8	1-11/16	1-5/16	1,343.69

*clevis pin diameter to fit pin hole

Sta-Lok Terminals supplied with 1x19 wedges unless otherwise specified.

Long Eye Terminal

The long eye is designed to allow the removal of a swage marine eye with the extra length of the shank making up the lost length. Also in cases where there is a clearance problem with the standard eye due to the larger body dimension the long eye may fit better.

The clever design of the Sta-lok long terminals enables the replacement of damaged swage terminals without having to replace the wire rope.

Part Number	Sta-Lok Number	Wire Size	H Pin Size	A	B	C	Price \$
SLEYL0612	178-05	3/16	3/8	4-3/16	3-1/4	19/64	56.92
SLEYL0712	178-55-3/8	7/32	3/8	4-7/8	3-15/16	3/8	67.67
SLEYL0714	178-55	7/32	7/16	4-7/8	3-15/16	3/8	67.67
SLEYL0716	178-55-1/2	7/32	1/2	4-7/8	3-15/16	15/32	67.67
SLEYL0812	178-06-3/8	1/4	3/8	4-7/8	3-15/16	3/8	67.67
SLEYL0816	178-06	1/4	1/2	5-3/4	4-5/8	15/32	77.11
SLEYL0916	178-07	9/32	1/2	5-25/32	4-5/8	15/32	82.84
SLEYL1016	178-08-1/2	5/16	1/2	5-3/4	4-5/8	15/32	94.55
SLEYL1020	178-08-5/8	5/16	5/8	6-5/8	5-1/2	17/32	105.00
SLEYL1220	178-10	3/8	5/8	6-27/32	5-1/2	17/32	132.26
SLEYL1424	178-11	7/16	3/4	10	8-1/8	3/4	297.38
SLEYL1624	178-12	1/2	3/4	10	8-1/8	3/4	297.38

