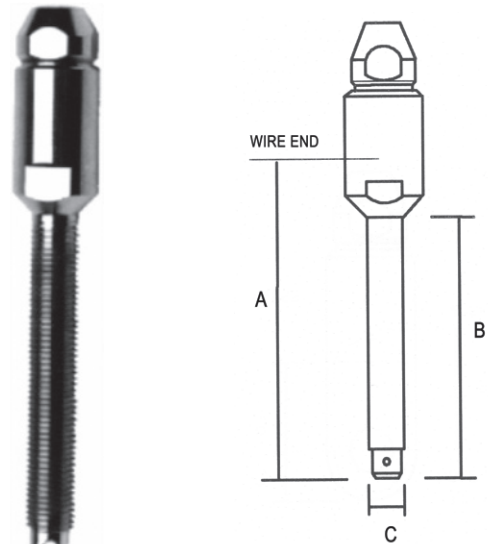


Stud Terminal

Part Number	Sta-Lok Number	Wire Size	Thread Size(*)	A	B	Price \$
SLST0408	136-03	1/8	1/4	2-17/32	2-1/32	35.67
SLST0508	136-04-1/4	5/32	1/4	2-17/32	2-1/32	41.02
SLST0510	136-04	5/32	5/16	2-7/16	2-1/32	41.02
SLST0514	136-04-7/16	5/32	7/16	3-13/32	3	48.57
SLST0610	136-05-5/16	3/16	5/16	2-9/16	2-1/8	48.57
SLST0612	136-05	3/16	3/8	3-1/16	2-5/8	48.57
SLST0614	136-05-7/16	3/16	7/16	3-7/16	3	48.57
SLST0712	136-55	7/32	3/8	3-5/32	2-5/8	63.11
SLST0714	136-55-7/16	7/32	7/16	3-5/32	3	63.11
SLST0716	136-55	7/32	1/2	3-11/16	3-1/4	63.11
SLST0812	136-06-3/8	1/4	3/8	3-5/32	2-5/8	63.11
SLST0814	136-06-7/16	1/4	7/16	3-41/64	3	63.11
SLST0816	136-06-1/2	1/4	1/2	3-11/16	3-1/4	63.11
SLST0916	136-07	9/32	1/2	3-55/64	3-1/4	77.72
SLST1016	136-08	5/16	1/2	3-7/8	3-1/4	91.47
SLST1020	136-08-5/8	5/16	5/8	4-11/32	3-3/4	91.47
SLST1220	136-10	3/8	5/8	4-3/8	3-3/4	130.78
SLST1224	136-10-3/4	3/8	3/4	5-1/16	4-17/32	137.33
SLST1424	136-11	7/16	3/4	5-15/32	4-17/32	321.06
SLST1428	136-11-7/8	7/16	7/8	6-5/8	5-1/2	321.06
SLST1624	136-12	1/2	3/4	5-15/32	4-17/32	321.06
SLST1628	136-12-7/8	1/2	7/8	6-5/8	5-1/2	321.06
SLST1828	136-14	9/16	7/8	6-11/16	5-1/2	374.44
SLST2032	136-16	5/8	1	6-3/4	5-1/2	466.38
SLST2436	136-19	3/4	1-1/8	8-1/16	6-3/4	1,011.62
SLST2840	136-22	7/8	1-1/4	11-1/16	8-13/16	1,398.60
SLST3244	136-25	1	1-3/8	11-11/16	9-1/8	1,689.08

Sta-Lok with the part numbers shown are supplied with wedges for 1x19 wire. Any other wedges can be substituted on a special order basis; these parts will have different part numbers. Sta-Lok studs terminals can be ordered with Sta-Lok turnbuckles. They will fit all turnbuckles using the UNF thread also. Most yacht standing rigging using UNF threads have a left-hand thread fitted to the bottom of the turnbuckle and a right-hand thread fitted on the wire. A right-hand thread will slope up to the right when holding the stud in a vertical position (like the thread on a light bulb). See page 42 for an example. If you see a left-hand thread on a wire rope terminal for standing rigging, in most cases, it will be a metric thread (which also is coarser than UNF thread).

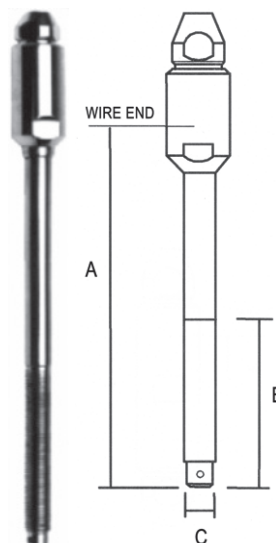


(*) UNF thread - Right Hand Thread Only. Metric threads and Left Hand Threads are available through special order.

Sta-Lok Terminals supplied with 1x19 wedges unless otherwise specified.

Long Stud Terminal

Part Number	Sta-Lok Number	Wire Size	Thread Size(*)	A	B	Price \$
SLSTL0510	176-04	5/32	5/16	5-9/16	2-1/8	43.85
SLSTL0610	176-05-5/16	3/16	5/16	6-1/16	2-1/8	51.00
SLSTL0612	176-05	3/16	3/8	6-9/16	2-5/8	51.00
SLSTL0712	176-55	7/32	3/8	7-3/32	2-5/8	66.90
SLSTL0714	176-55-7/16	7/32	7/16	7-27/64	3	66.90
SLSTL0812	176-06-3/8	1/4	3/8	7-3/32	2-5/8	66.90
SLSTL0816	176-06	1/4	1/2	8-7/8	3-1/4	66.90
SLSTL0916	176-07	9/32	1/2	8-7/8	3-1/4	83.43
SLSTL1016	176-08	5/16	1/2	8-7/8	3-1/4	97.87
SLSTL1020	176-08-5/8	5/16	5/8	10-11/16	3-3/4	101.49
SLSTL1220	176-10	3/8	5/8	10-23/32	3-3/4	142.91
SLSTL1424	176-11	7/16	3/4	13-3/8	4-17/32	338.07
SLSTL1624	176-12-3/4	1/2	3/4	13-3/8	4-17/32	338.31
SLSTL1628	176-12-7/8	1/2	7/8	14	5-1/2	402.59



Sta-Lok stud terminals on this page have a right hand UNF thread with a diameter indicated in the table. This thread will fit most turnbuckles found on boats in the USA. Before ordering check your turnbuckle to determine the thread. Many vessels from overseas will have turnbuckles with metric threads. In most cases where the original stud has a metric thread it will also be a left hand thread. Sta-Lok studs are available with metric threads and also with a left-hand or a right-hand thread.